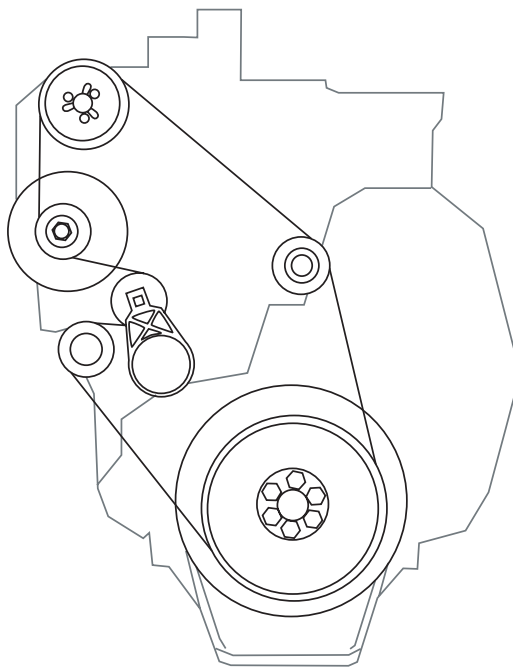


***C 13 Engine
Filter & Belt Correction
Addendum***

**2005 Marquis
2005 Patriot-Thunder**



The information printed here reflects product design, fabrication, and component parts at the date of printing. The manufacturer reserves the right, at any time, to make changes in product design or material or component specifications as its sole option, without notice. This includes the substitution of components of a different brand or trade name, which will result in comparable performance. All information printed in this document is subject to change after the date of printing. Due to product improvements, changes during the model year and/or transcription errors that may occur, information represented within the owner's manual and/or this document may not be accurate at the time of your purchase. Please confirm any information with your dealer.

The following information supersedes the information published in the 2005 Owner's Manual for the **FILTER AND BELTS** chart. Please utilize the information provided henceforth.

©Monaco Coach Corporation. Beaver®. All rights reserved. All other trademarks or registered trademarks are property of their respective holders. Brand name products of other companies mentioned in this addendum are not endorsed by Monaco Coach Corporation.

ATG04236

FILTERS & BELTS

Marquis:

The information provided for the C13 Filter and Belts, is incorrect as shown for the 05 Marquis.

The information on pages 10-463 for the Marquis manuals should be updated. The information needs to be updated to reflect the following changes:

The Filter and Belts chart on page 10-463 for the Marquis manuals should have following information corrected:

FILTERS & BELTS	OEM REPLACEMENT
Engine Drive Belt	Caterpillar 243-1559 DF

Patriot:

The information provided for the C13 Filter and Belts, is incorrect as shown for the 05 Patriot.

The information on pages 10-491 for the Patriot manual should be updated. The information needs to be updated to reflect the following changes:

The Filter and Belts chart on page 10-491 for the Patriot manual should have following information corrected:

FILTERS & BELTS	OEM REPLACEMENT
Engine Drive Belt	Caterpillar 243-1559 DF



Beaver Motorcoaches
91320 Coburg Industrial Way
Coburg, OR 97408
800-634-0855
www.Beavermotorcoaches.com

Warranty/Technical Support
Toll Free 877-466-6226