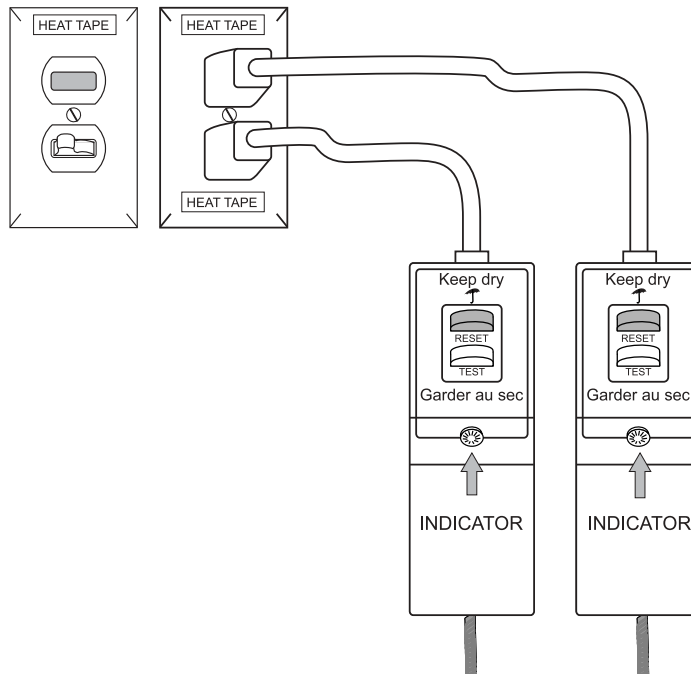


Cold Weather Use



**2003
Marquis
Patriot
Contessa
Monterey**

The information printed here reflects product design, fabrication, and component parts at the date of printing. The manufacturer reserves the right, at any time, to make changes in product design or material or component specifications as its sole option, without notice. This includes the substitution of components of a different brand or trade name, which will result in comparable performance. All information printed in this document is subject to change after the date of printing. Due to product improvements, changes during the model year and/or transcription errors that may occur, information represented within the owner's manual and/or this document may not be accurate at the time of your purchase. Please confirm any information with your dealer.

©Copyright Monaco Coach Corporation. All rights reserved. All trademarks or registered trademarks are property of their respective holders. Brand name products of other companies mentioned in this addendum are not endorsed by Monaco Coach Corporation.

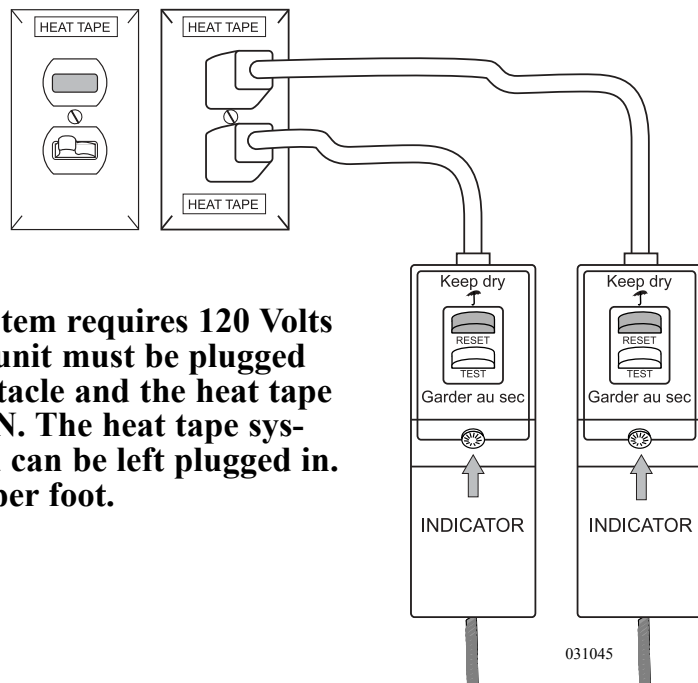
COLD WEATHER USE

The information in section 6 on the following pages 218 of the Marquis, 221 of the Patriot, 247 of the Contessa and 233 of the Monterey should be updated to reflect the following changes:

The motorhome is not designed for extended use in below freezing (32°F/0°C) weather. There are precautionary measures that can be taken for extended cold weather use.

Interior water lines, fixtures, and drains above the floor are normally protected from moderate freezing temperatures as long as the furnace is operating. Cold temperatures will adversely affect water systems below the floor level. Because of location of the fresh water holding tank, supplemental heating sources must be used. Double slide models will utilize a heat exchanger in the storage bay and a thermal snap disc. Triple slide models will utilize a heat tape system.

The furnace must be **ON** for the heat exchanger to operate and the heat tape system must be plugged in.



NOTE: The heat tape system requires 120 Volts AC to operate. The heat unit must be plugged into the designated receptacle and the heat tape switch must be turned ON. The heat tape system is self-regulating and can be left plugged in. Current draw is 3 watts per foot.



91320 Coburg Industrial Way
Coburg, OR 97408

www.beavermotorcoaches.com

Warranty/Technical Support
Toll Free 1-800-344-6332